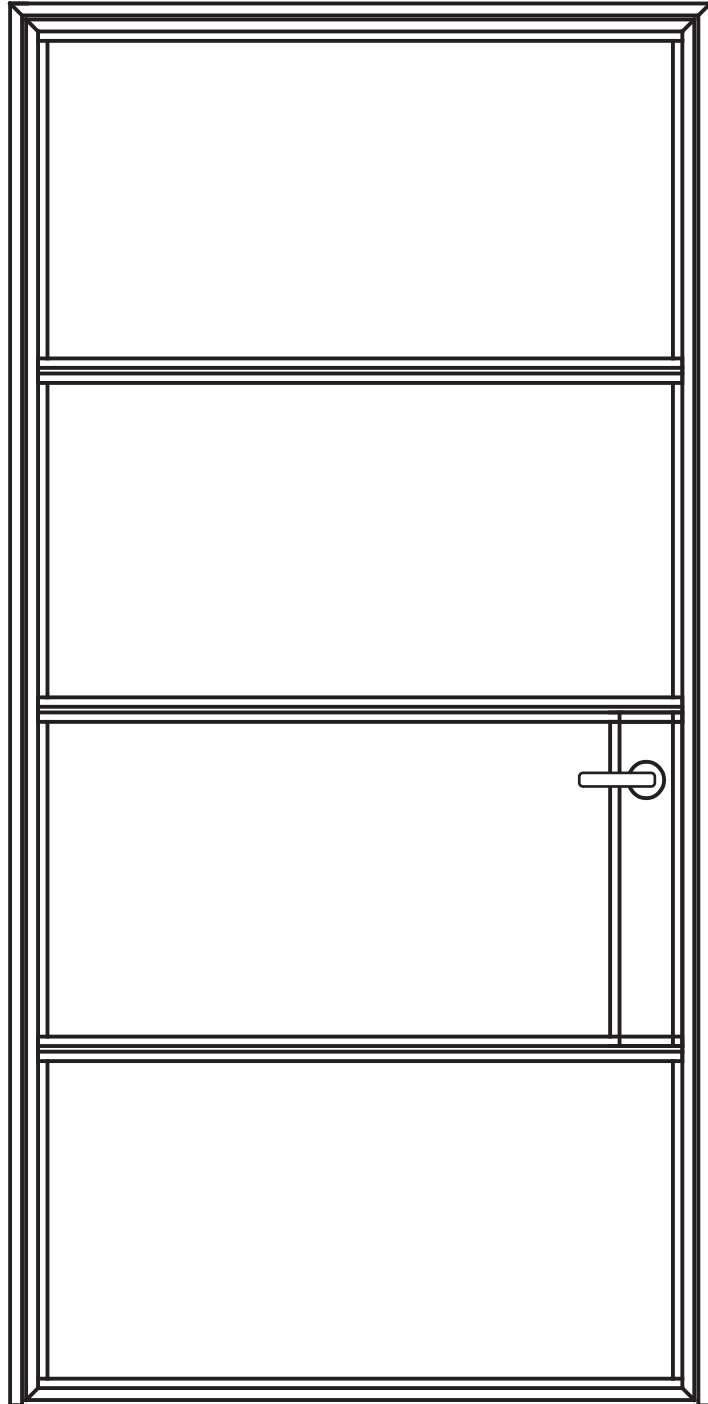




# **FINELINE**

S Y S T E M S



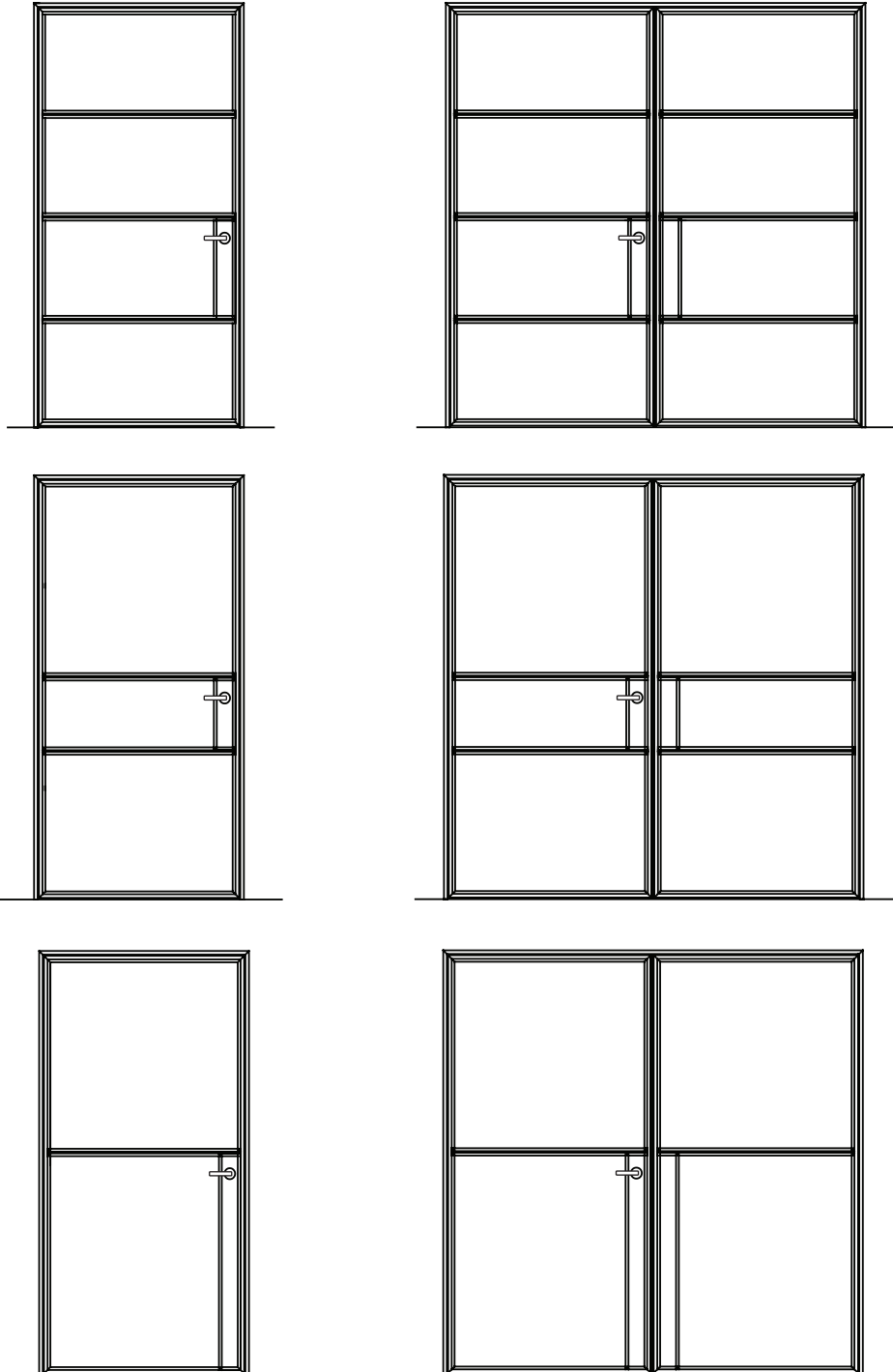
# **INTERNAL DOOR**

INSTALLATION MANUAL

VERSION 25.1

# FINELINE

S Y S T E M S



**WITH OVER 30 YEARS OF EXPERIENCE IN THE INDUSTRY, WE SPECIALISE IN THE DESIGN AND CRAFTING OF SLIM PROFILE PREMIUM DOOR SOLUTIONS. THE PRODUCTS THAT FINELINE OFFERS ARE JUST AS THE NAME SUGGESTS. BESPOKE DOORS THAT PERFECTLY COMPLIMENT ARCHITECTURAL SPACES BY MINIMISING THE AMOUNT OF VISIBLE METAL, ALLOWING INDOOR AND OUTDOOR SPACES TO FEEL COHESIVE.**

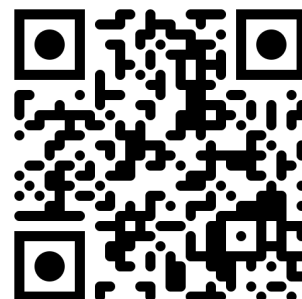
**WE DESIGN AND LOCALLY MANUFACTURE HIGH QUALITY STEEL SYSTEMS, AND MORE AFFORDABLE STEEL-LOOK ALUMINIUM SYSTEMS THAT PROVIDE FUNCTIONALITY AND VISUAL APPEAL TO YOUR HOME OR OFFICE SPACE.**

## **INTERNAL DOOR**

Perfect for doors inside the home, such as in the kitchen, living room or hallway. The Fineline Internal Door is available with a range of hardware options for different applications, and can be configured to the functional and aesthetic needs of your home or office.

We also offer a wide range of custom options for this system. This includes panel configurations, custom colours, personal hardware options and more.

*Scan this code to access our website where you can explore our full range of products and systems, place orders or get in contact with our team.*



# TOOLS AND MATERIALS

All our doors are pre-machined to accommodate 10G Countersunk fixing screws.

## Tools

- » Measuring tape
- » Pencil
- » Level / Laser level
- » Drill
- » Drill bits
- » Impact driver
- » Screwdriver
- » Flat paint scraper or glazing shovel
- » Rubber mallet
- » Stanley knife
- » SDS bits (If required)
- » Window bag (If required)

## Materials

- » Aluminium door (supplied by Finline)
- » 10G CSK screws (relevant to substrate)
- » Glazing packers
- » Raw plugs if required
- » Handle (supplied by Finline)
- » Sealant / acrylic (No More Gaps) to finish

# INSTALLATION

## 1. Unpack & Prepare Frame

Carefully remove all packaging from the door. Stand the door safely and set the handle & accessories box aside.

Check opening to ensure to ensure and accurate fit. Ensure opening is level & plumb. Amend if necessary.

Clear any debris or obstructions from the frame.

## 2. Install the Door

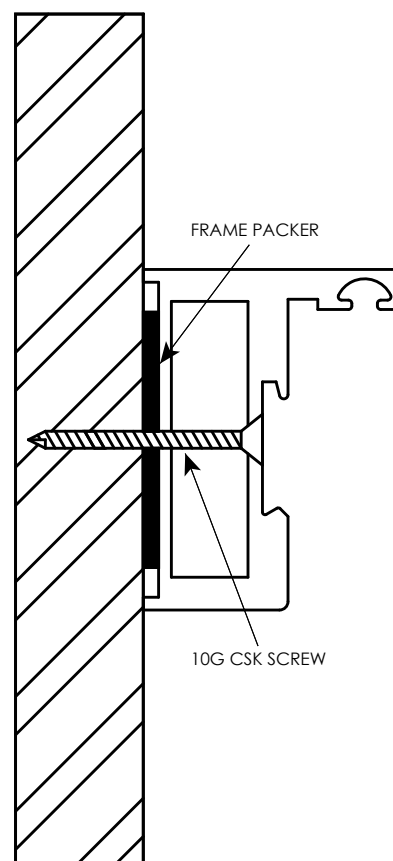
Fineline doors come pre-hung within the door frame. The lock & lock plate are pre-installed.

Starting on the hinge jamb, Using the frame packers & screws supplied, attached the frame to the structure ensuring the frame is level & true in both directions. Install fixing packers between the aluminium door frame and the structure to adjust level as necessary

Frame packers must be installed no more than 150mm in from the corners of the frame and at maximum 500mm centres. Swing the sash level with the locking stile and repeat fixing process on the locking jamb

Finally repeat process to head of frame.

For double doors, start on the inactive leaf, then move to the main leaf and repeat process above.



### 3. Handle Installation

The mortice lock will be pre-installed in the factory. All holes required to install the handle will be pre-drilled when the door arrives on site.

Open the handle box and remove contents.  
Install the handle spindle through the spindle drive in the mortice lock. Slide the handles onto the spindle. Using the screws provided, place the screws in the appropriate grooves in the handles and tighten. Once screws are tight install handle rose.  
Repeat this process with any locking cylinders or turn snibs.

### 4. Flush Bolts

When installing double doors, the inactive leaf will contain flush bolts and cover plates.  
Once the doors are glazed and the handles on the flush bolts can be drilled. Carefully mark the line of the flush bolt with a pencil. Drill a clearance hole and test to ensure the bolt fits snugly. Install cover plates.

*Note – Ensure holes are drilled carefully avoiding cables, adjacent obstructions, underfloor heating etc.*

### 5. To Finish

Install screw cover profiles. Clean all frames and glass with generic cleaning solutions / glass cleaner.  
Seal perimeter frame as required

*Enjoy your beautiful new Finesline Doors!*

# WARRANTY

Fineline Systems is proud to design and manufacture high-quality Australian-made products. We warrant that our products are free from defects in materials and workmanship when used under normal conditions and installed in accordance with our specifications and Australian Standards.

This warranty applies to products supplied for residential and commercial projects, including installations by builders, developers, and trade customers.

Product Component	Residential Supply	Commercial Supply
Aluminium or Steel Frames	5 years	5 years
Glass Components	5 years	5 years
Hardware & Accessories (Hinges, Locks, Rollers, Handles)	10 years	10 years
Powder-Coated or Painted Finishes	10 years	10 years

Please see our website, or contact us for further details, exclusions, customer obligations and to make a claim.

# CARE AND MAINTENANCE

## Important Cautions

DO NOT Use:

- Abrasive cleaners: Steel wool, scouring pads, razor blades, or metal scrapers, as these will permanently damage the paint finish and glass.
- Avoid Harsh Chemicals: Do not use solvent-based, ammonia-based, or non-PH neutral cleaners, as they can damage the protective coating of the paint finishes/glass.
- Avoid High Pressure: Never direct powerful streams of water directly at the windows, use a gentle sprinkle setting to avoid forcing water.
- Protect from Construction Debris: Ensure construction materials like mortar, brick cleaning acid, and plaster are removed immediately, as they may cause permanent damage.
- Wear Protection: Remove all jewellery (rings, watches) and wear gloves when cleaning to prevent accidental scratches.



## READ BEFORE INSTALLATION

<b>Component</b>	<b>Method</b>	<b>Frequency (General Environment)</b>	<b>Frequency (Coastal/ Industrial)</b>
<b>Frames (Aluminium/ Powder-coated)</b>	Wash with a soft sponge/cloth and a solution of warm water and mild, pH-neutral detergent. Rinse thoroughly with clean water and dry with a soft, lint-free cloth. More stubborn stains can be removed using cleaning alcohol or methylated spirits.	Every 3-6 months	Monthly
<b>Tracks (Sills/Recesses)</b>	Vacuum/brush away loose dirt and debris. Clean thoroughly with a damp cloth. Lubricate as desired with a silicone or Teflon-based spray.	Regularly (part of cleaning routine)	Regularly (part of cleaning routine)
<b>Glass</b>	Use clean water and a mild detergent or any readily available glass cleaner. Apply with a soft cloth/sponge and dry with a lint-free cloth.	Every 3 months	Monthly
<b>Hardware (Hinges, Locks, Handles)</b>	Wipe clean of dirt and salt residue. Lubricate internal moving parts with a silicone or Teflon-based spray.	Annually	Monthly
<b>Seals/Weather- stripping</b>	Clean gently with soapy water and check for signs of wear, cracking, or damage.	Regularly (during inspections)	Regularly (during inspections)
<b>Drainage Holes</b>	Ensure they are clear of debris to prevent water build-up.	Regularly (during inspections)	Regularly (during inspections)
<b>Flyscreens</b>	Remove and wash with a soft brush and mild soapy water, then rinse well and let dry.	3-4 times a year	More frequently if needed





